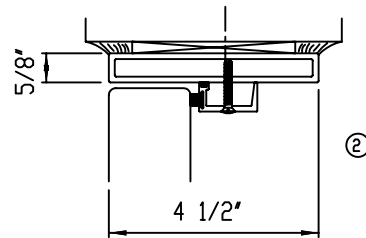
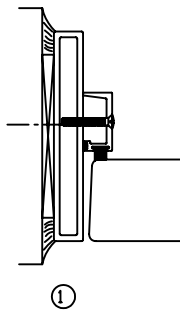
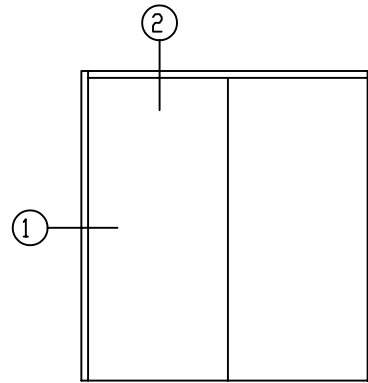
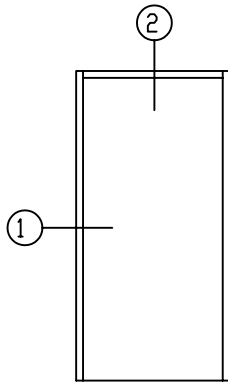


5/8" x 4-1/2" Applied Glass Stop



Product specifications and construction details
subject to change without notification.

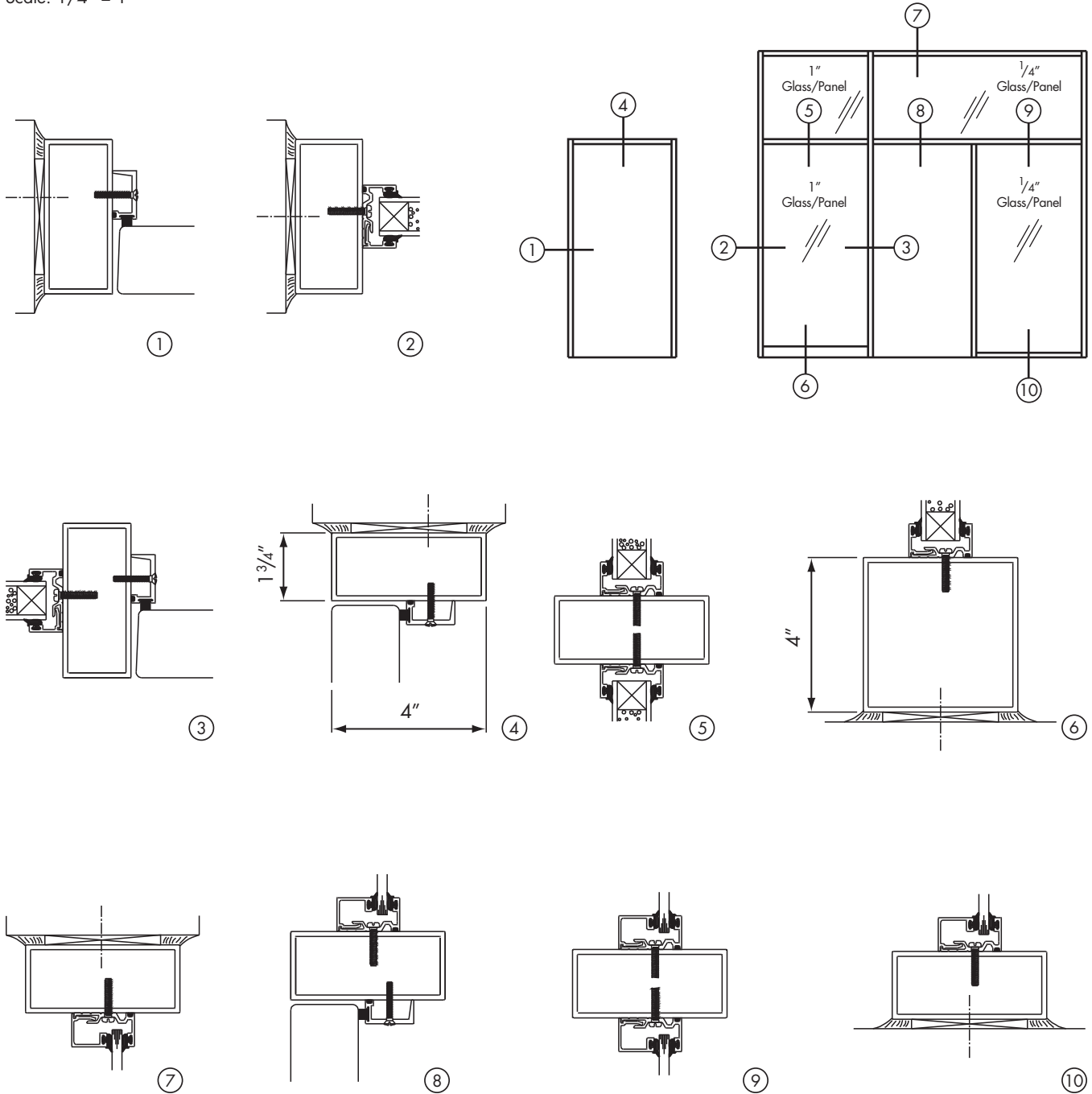
Special-Lite, Inc.

P.O. Box 6, Decatur, MI 49045

Ph: 800.821.6531 • Fx: 800.423.7610 • www.special-lite.com

1 - 3/4" x 4" Applied Glass Stop

Scale: 1/4" = 1



Product specifications and construction details subject to change without notification.

Special-Lite, Inc.

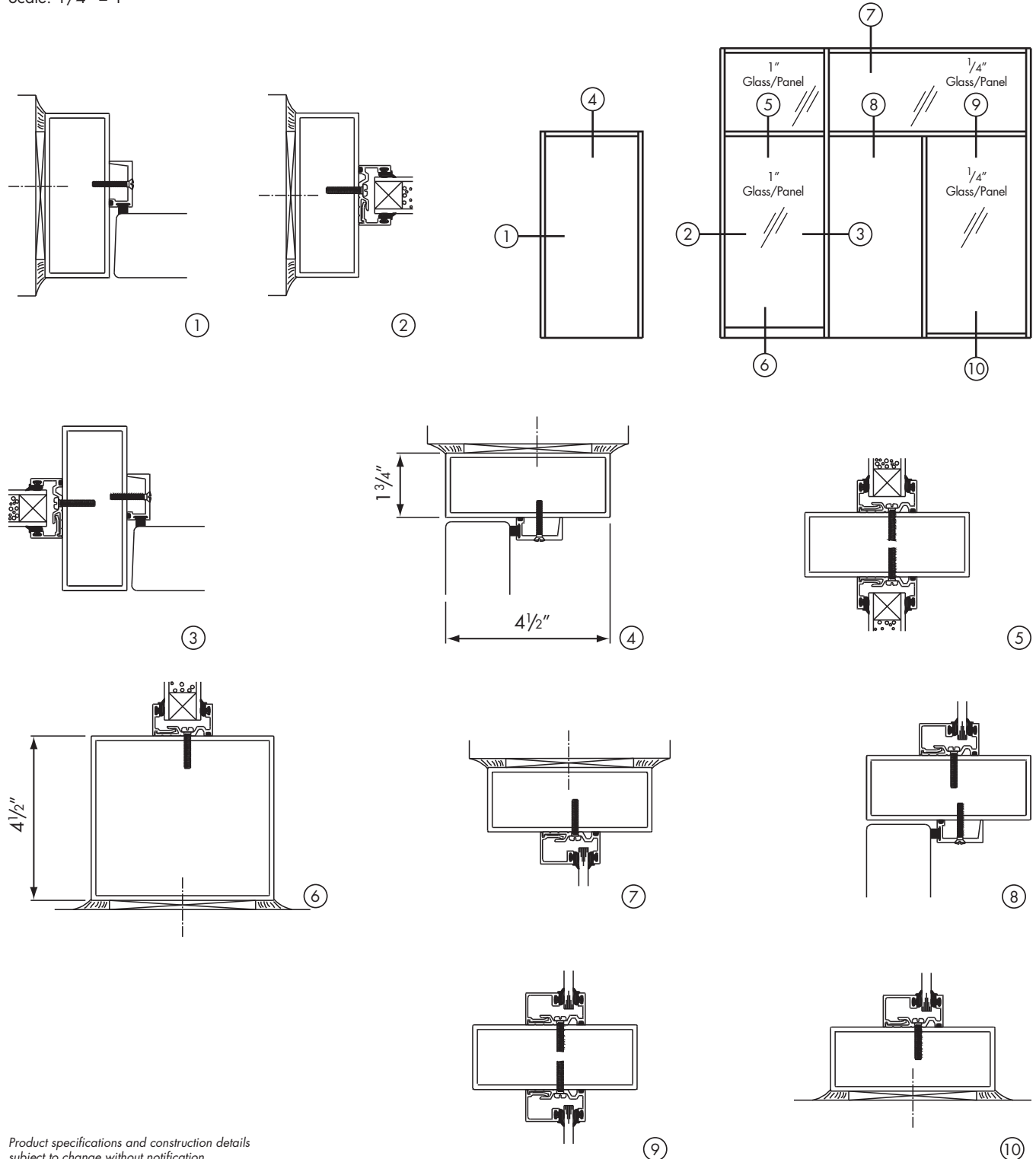
P.O. Box 6, Decatur, MI 49045

Ph: 800.821.6531 • Fx: 800.423.7610 • www.special-lite.com

Item #7213
3M 05/10 JBP

1 - 3/4" x 4 - 1/2" Applied Glass Stop

Scale: 1/4" = 1



Product specifications and construction details subject to change without notification.

Special-Lite, Inc.

P.O. Box 6, Decatur, MI 49045

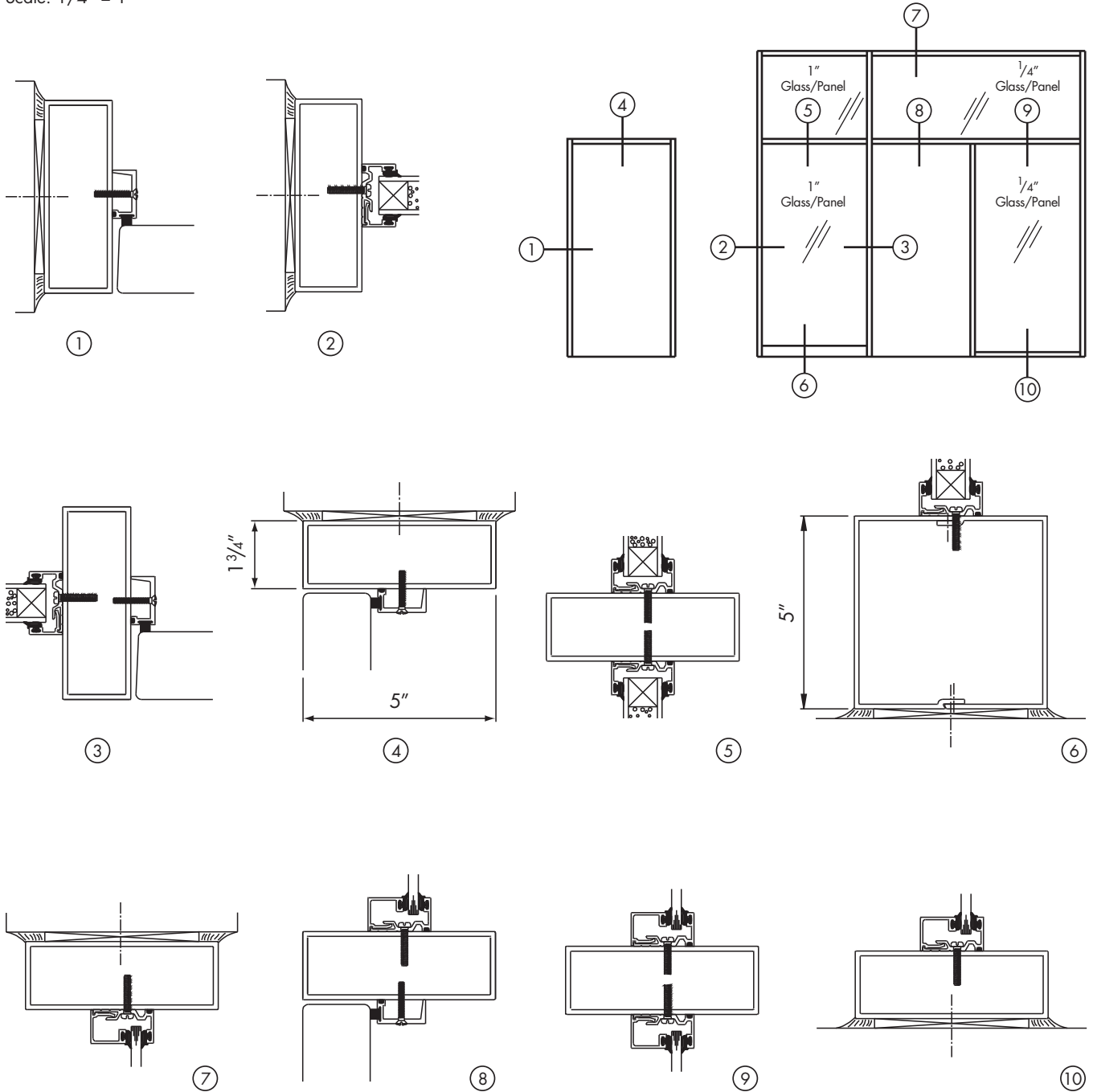
Ph: 800.821.6531 • Fx: 800.423.7610 • www.special-lite.com

Item #7214

3M 05/10 JBP

1 - 3/4" x 5" Applied Glass Stop

Scale: 1/4" = 1



Product specifications and construction details subject to change without notification.

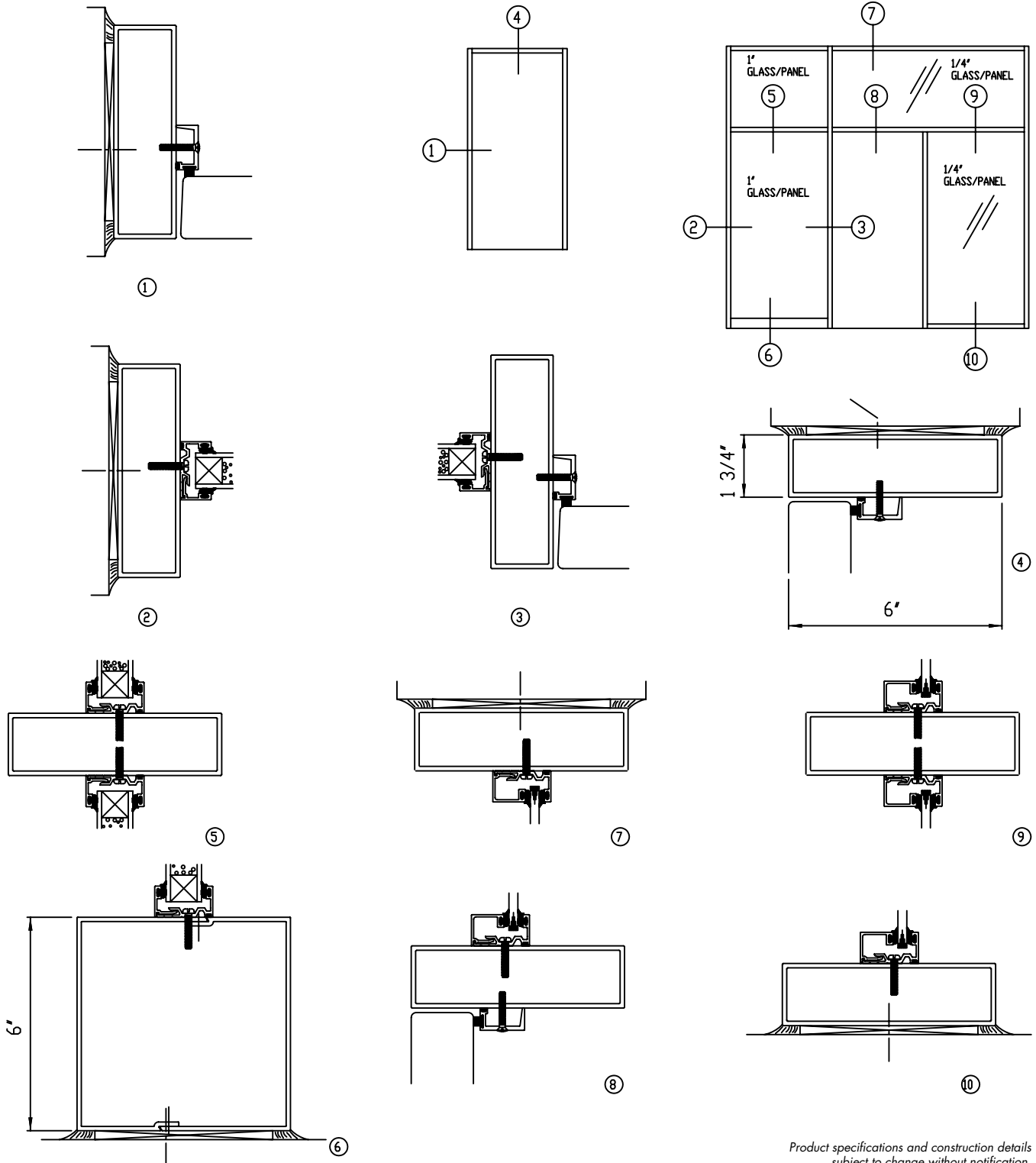
Special-Lite, Inc.

P.O. Box 6, Decatur, MI 49045

Ph: 800.821.6531 • Fx: 800.423.7610 • www.special-lite.com

Item #7220
3M 05/10 JBP

1-3/4" x 6" Applied Glass Stop

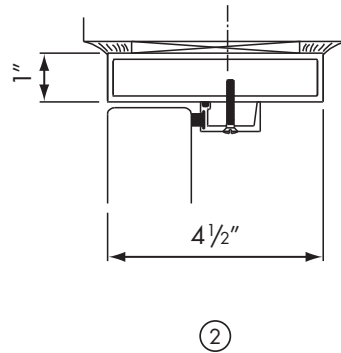
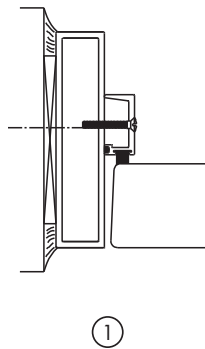
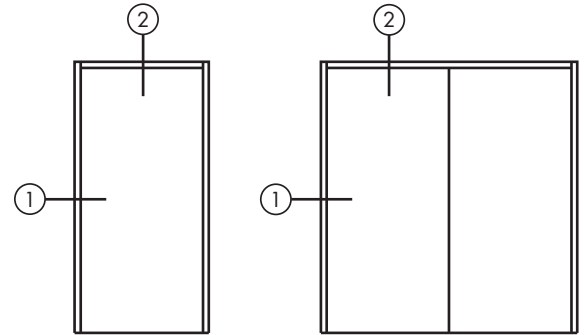


Product specifications and construction details subject to change without notification.

1" x 4 - 1/2" Applied Glass Stop

Scale: 1/4" = 1

**This product is intended for use
as a perimeter frame only!**

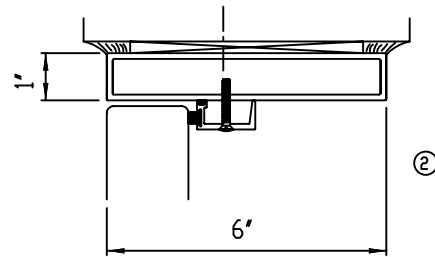
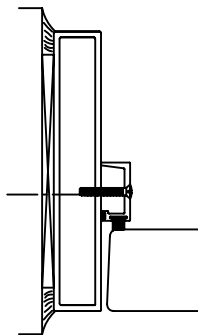
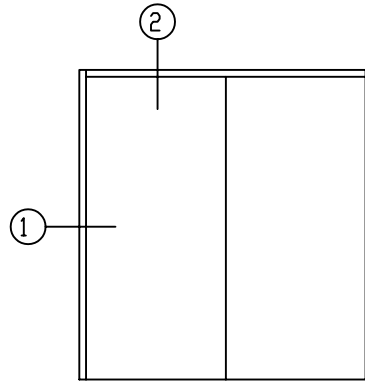
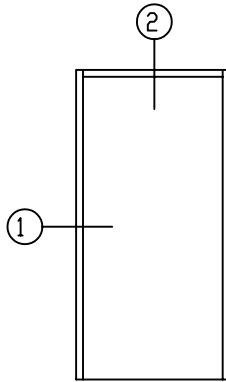


*Product specifications and construction details
subject to change without notification.*

Special-Lite, Inc.
P.O. Box 6, Decatur, MI 49045
Ph: 800.821.6531 • Fx: 800.423.7610 • www.special-lite.com

Item #7215
3M 05/10 JBP

1" x 6" Applied Glass Stop



*Product specifications and construction details
subject to change without notification.*

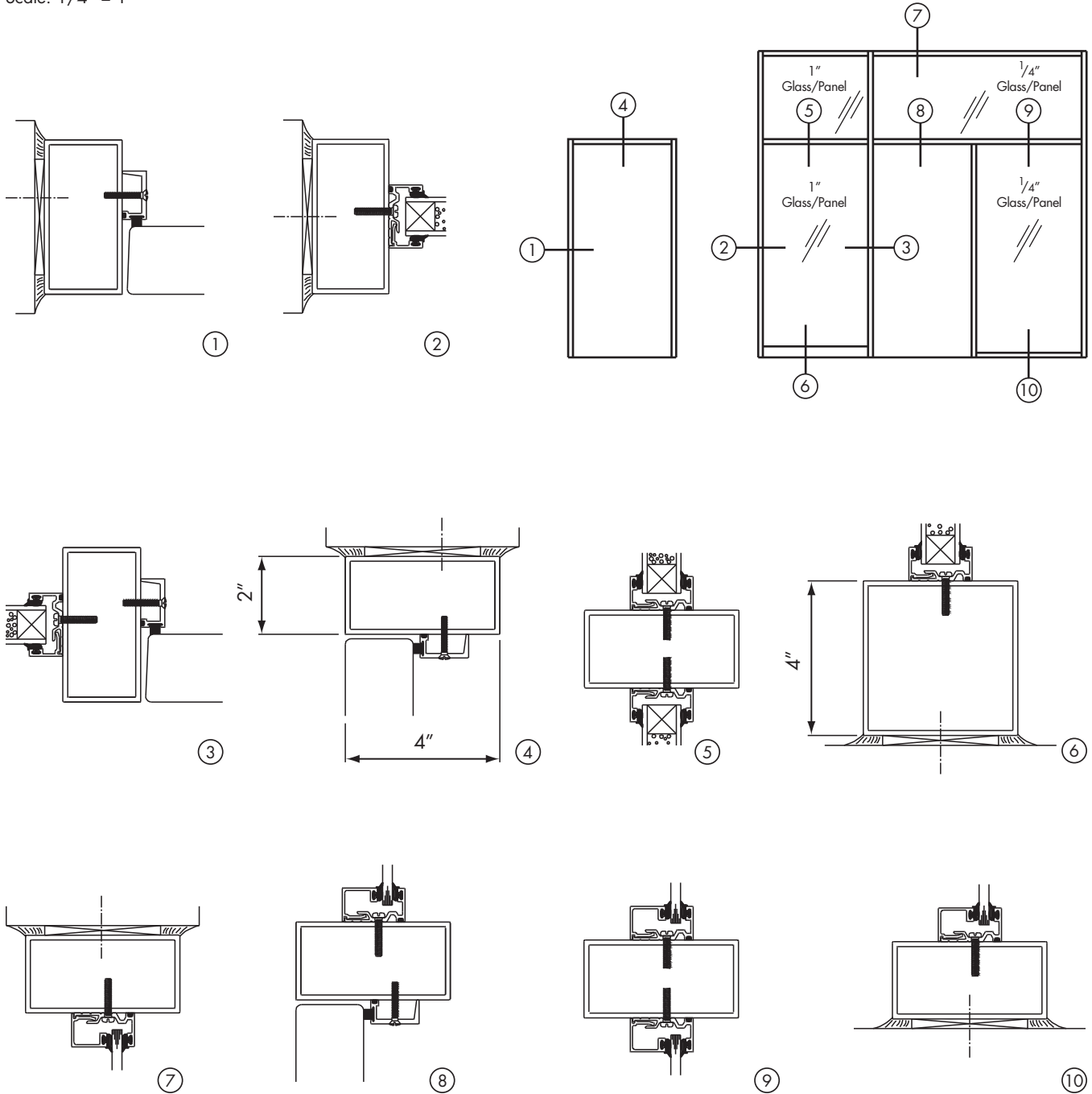
Special-Lite, Inc.

P.O. Box 6, Decatur, MI 49045

Ph: 800.821.6531 • Fx: 800.423.7610 • www.special-lite.com

2" x 4" Applied Glass Stop

Scale: 1/4" = 1



Product specifications and construction details subject to change without notification.

Special-Lite, Inc.

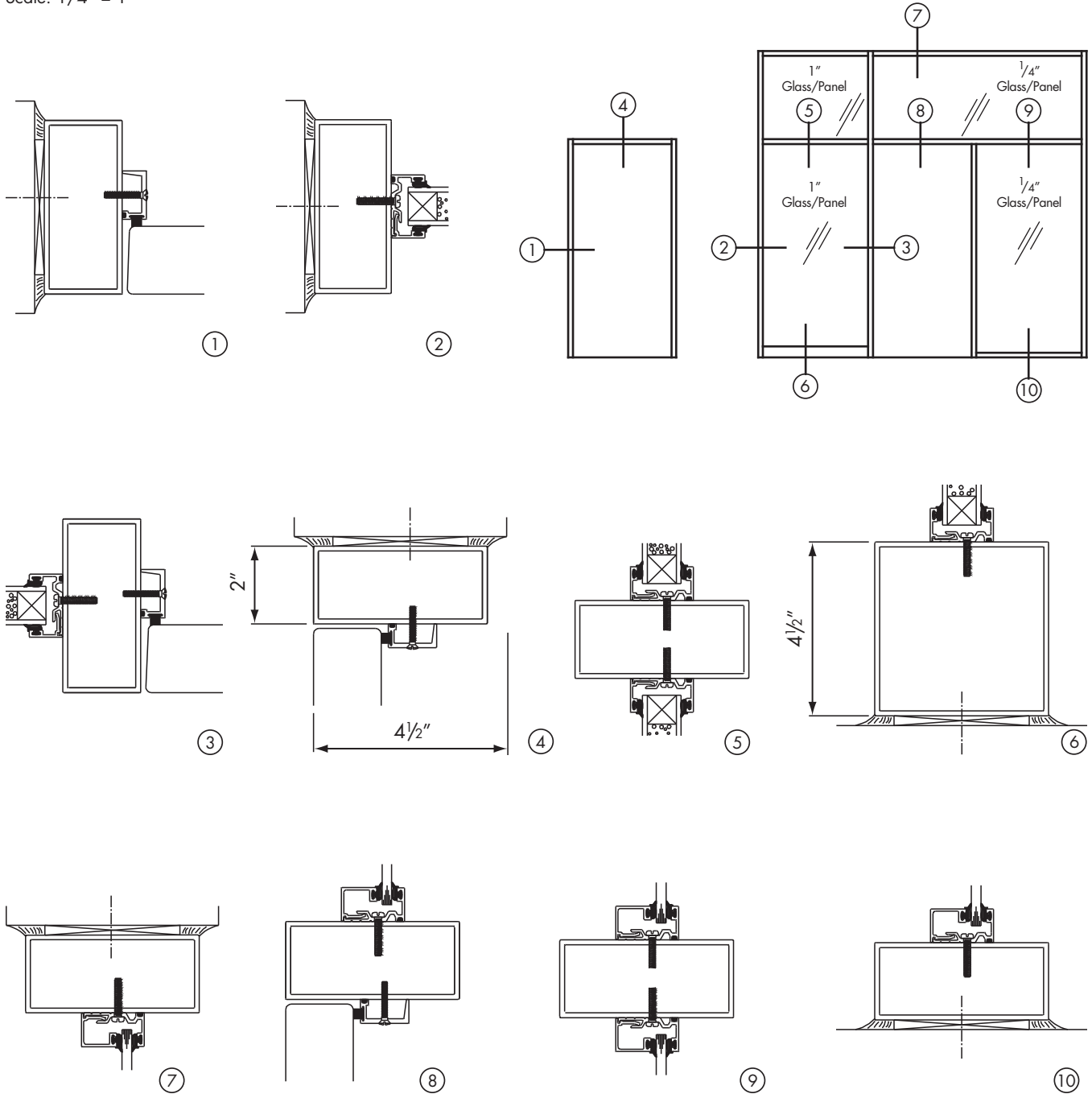
P.O. Box 6, Decatur, MI 49045

Ph: 800.821.6531 • Fx: 800.423.7610 • www.special-lite.com

Item #7216
3M 05/10 JBP

2" x 4 - 1/2" Applied Glass Stop

Scale: 1/4" = 1



Product specifications and construction details subject to change without notification.

Special-Lite, Inc.

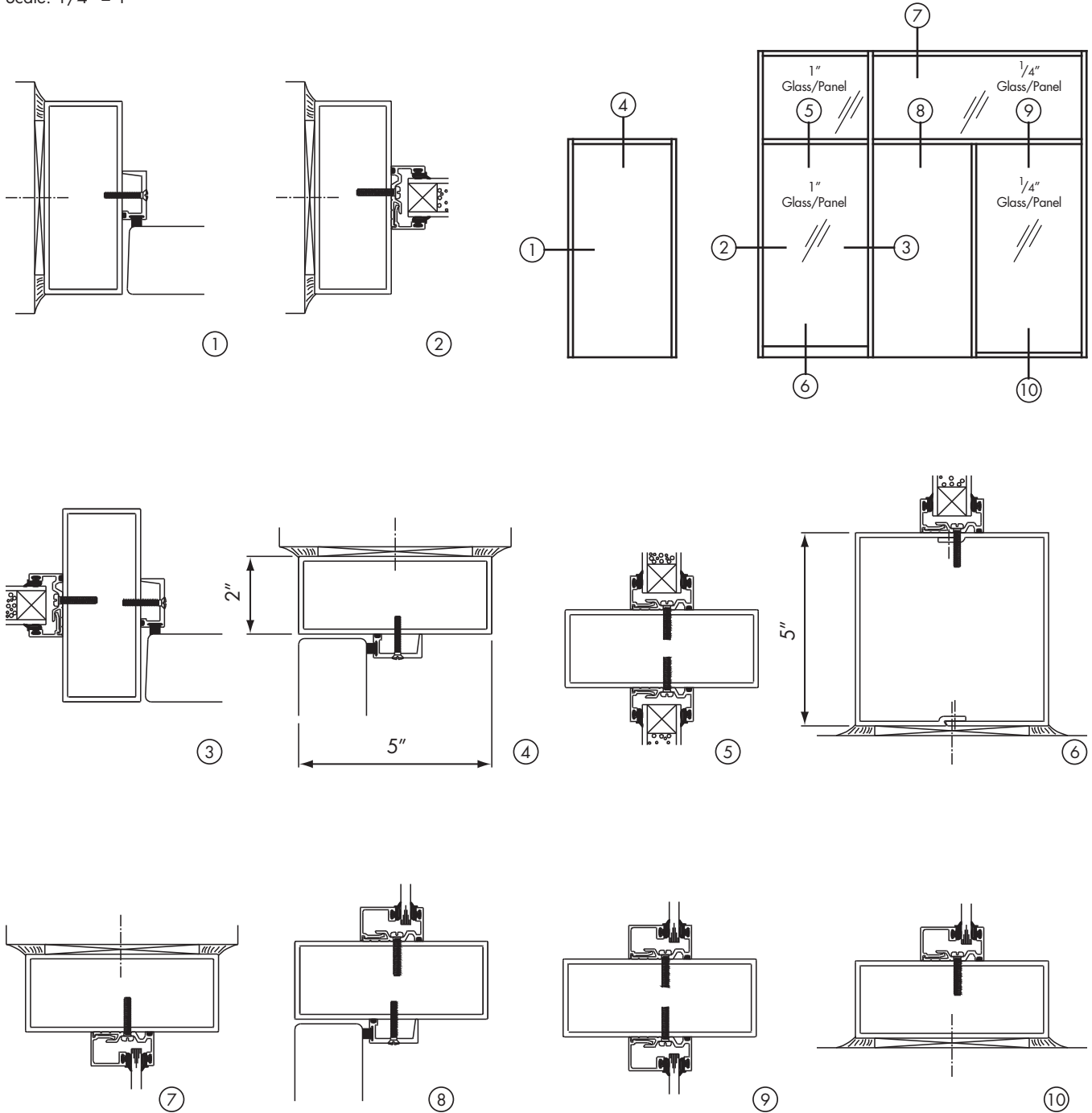
P.O. Box 6, Decatur, MI 49045

Ph: 800.821.6531 • Fx: 800.423.7610 • www.special-lite.com

Item #7217
3M 05/10 JBP

2" x 5" Applied Glass Stop

Scale: 1/4" = 1



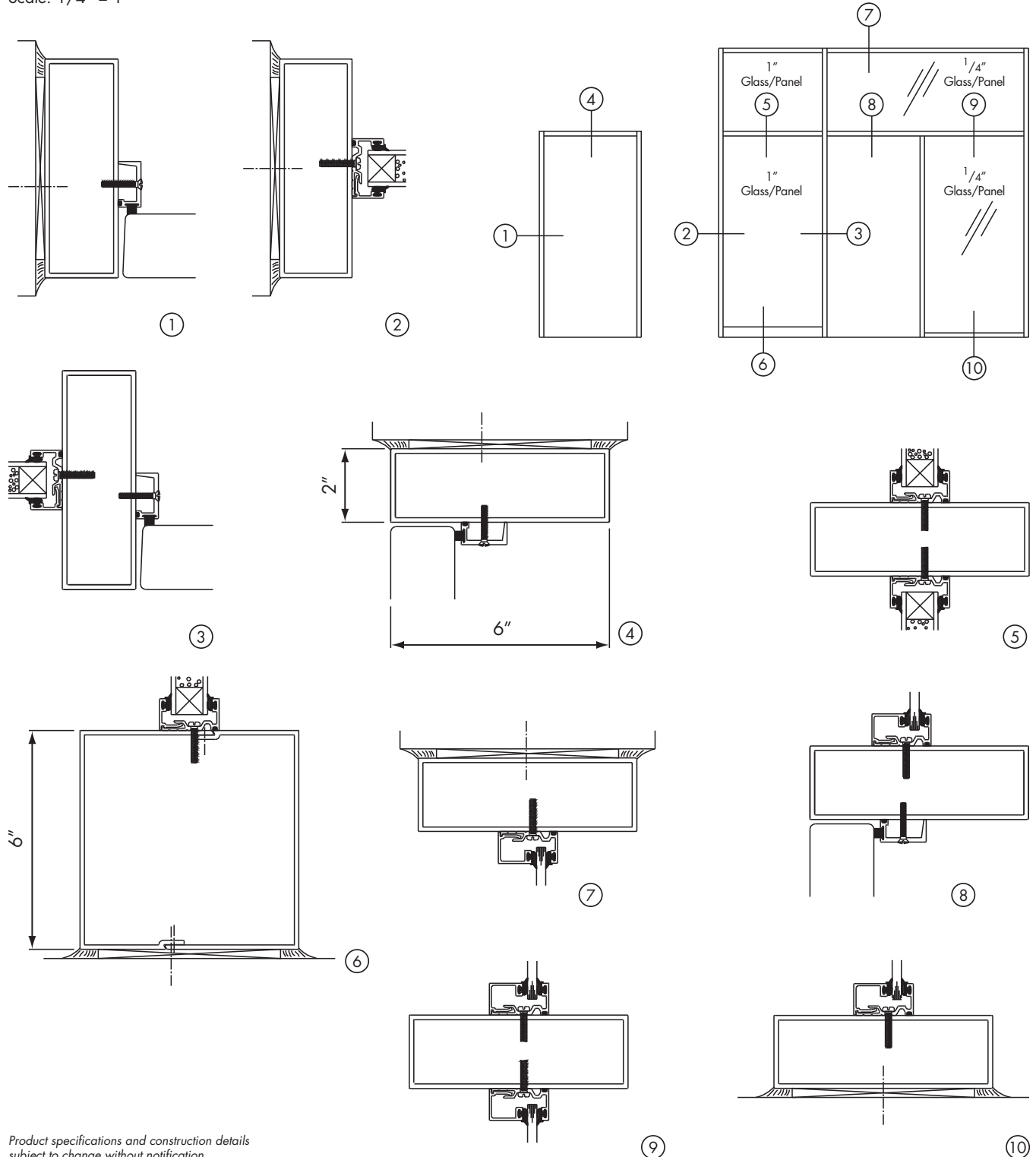
Product specifications and construction details subject to change without notification.

Special-Lite, Inc.
 P.O. Box 6, Decatur, MI 49045
 Ph: 800.821.6531 • Fx: 800.423.7610 • www.special-lite.com

Item #7218
 3M 05/10 JBP

2" x 6" Applied Glass Stop Framing

Scale: 1/4" = 1



Product specifications and construction details subject to change without notification.

Special-Lite, Inc.

P.O. Box 6, Decatur, MI 49045

Ph: 800.821.6531 • Fx: 800.423.7610 • www.special-lite.com

Item #7219-R1

3M 10/09 JBP