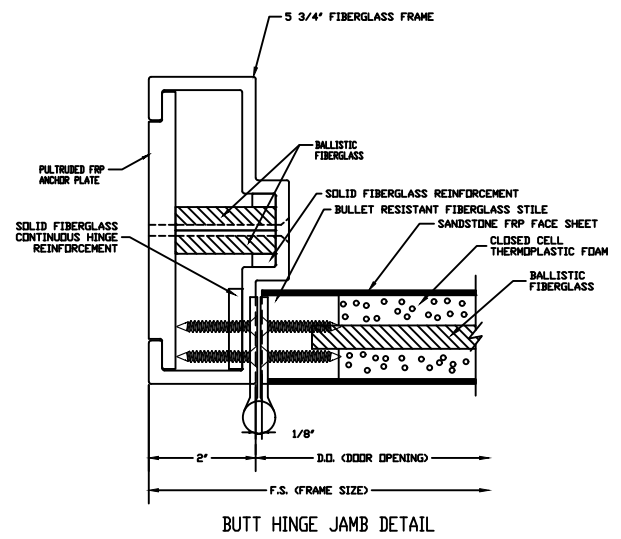
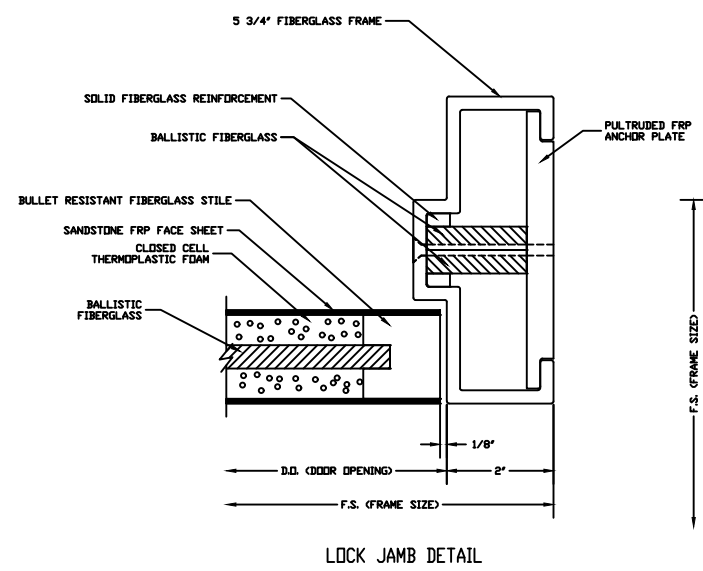


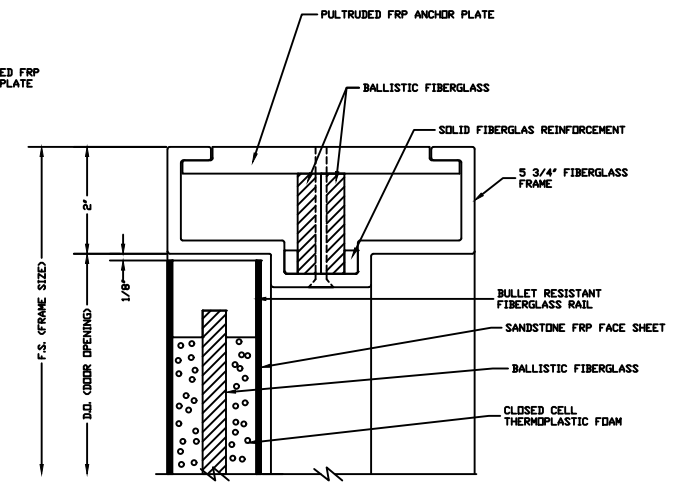
CONTINUOUS HINGE JAMB DETAIL



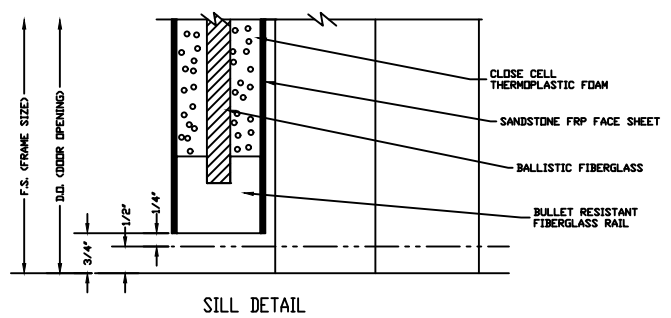
BUTT HINGE JAMB DETAIL



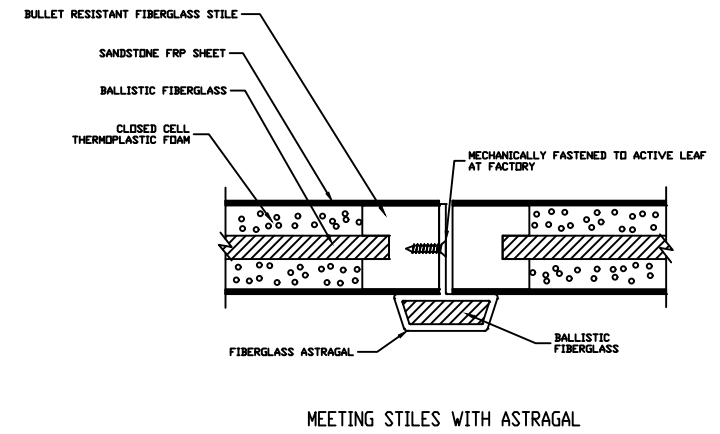
LOCK JAMB DETAIL



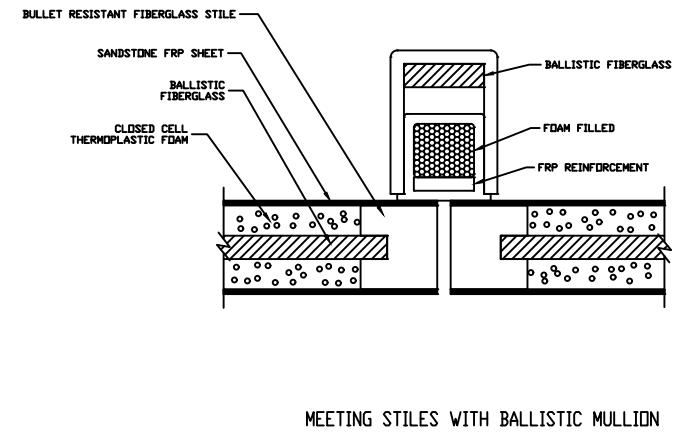
HEAD DETAIL



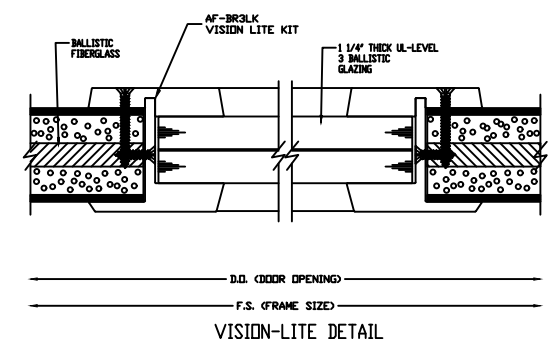
SILL DETAIL



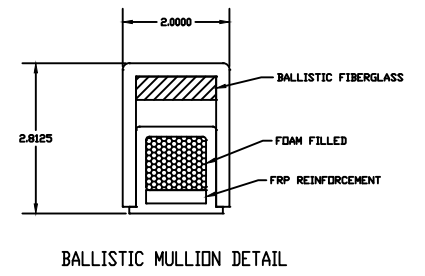
MEETING STILES WITH ASTRAGAL



MEETING STILES WITH BALLISTIC MULLION



VISION-LITE DETAIL



BALLISTIC MULLION DETAIL

		<p>SPECIAL-LITE, INC. 860 South Williams Street P.O. BOX 6 DECATUR, MI 49045 WWW.SPECIAL-LITE.COM</p>	
<p>DRAWN BY: JMM</p>		<p>AF-220 BR3 FLUSH DOOR DETAILS</p>	
<p>REVISION</p>		<p>DATE: 5/30/2017</p>	
<p>A 5/4/17 C</p>		<p>SHEET NO. 1 OF 1</p>	
<p>B 5/30/17 D</p>		<p>FILE: AF200BR3.dwg</p>	