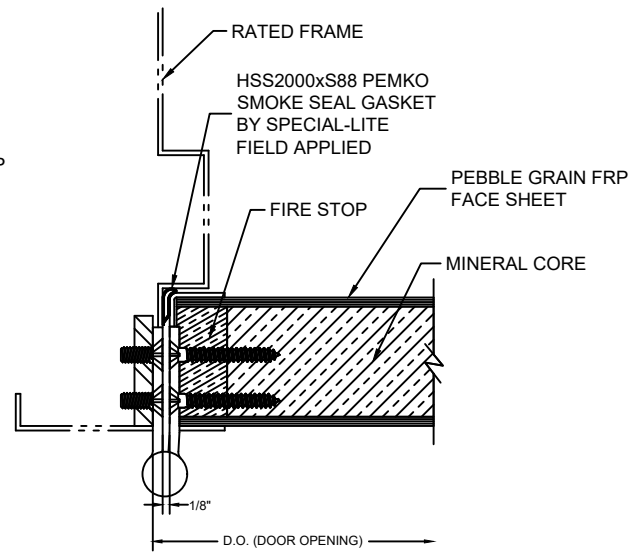
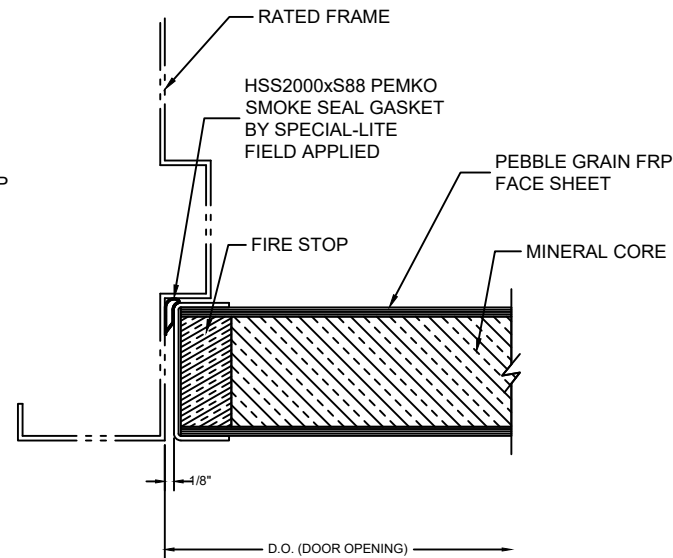


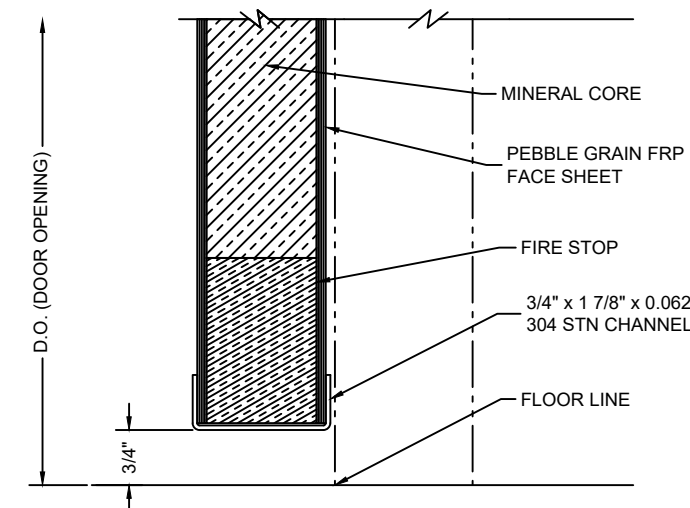
CONTINUOUS HINGE JAMB DETAIL



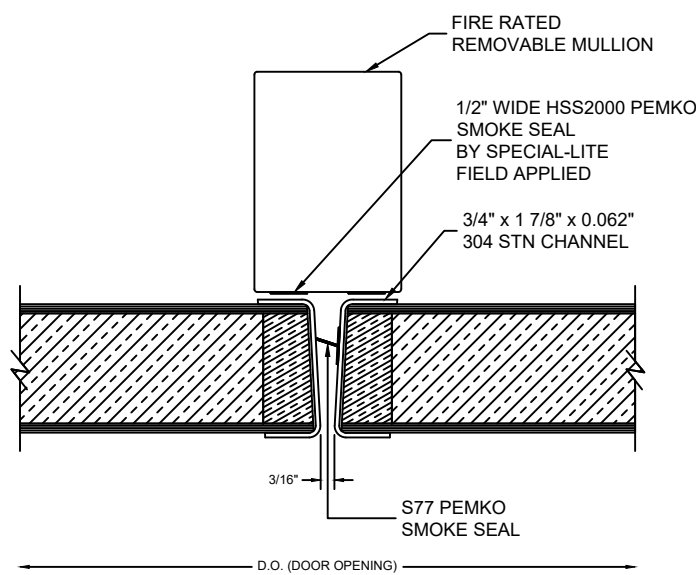
BUTT HINGE JAMB DETAIL



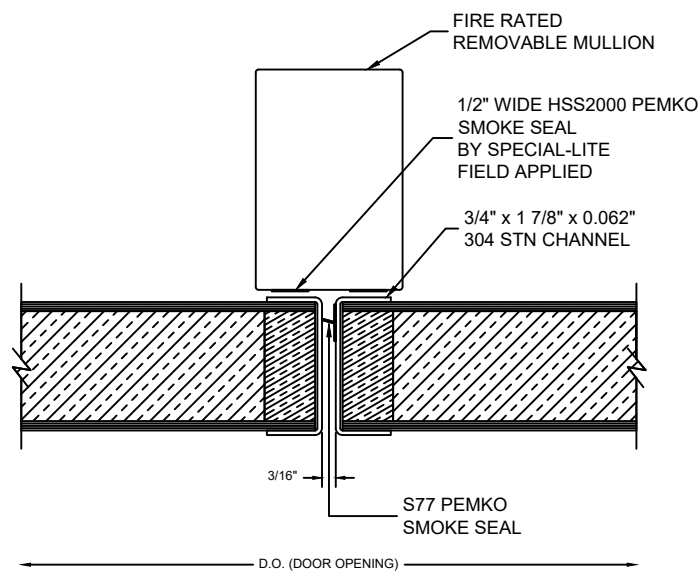
LOCK JAMB DETAIL



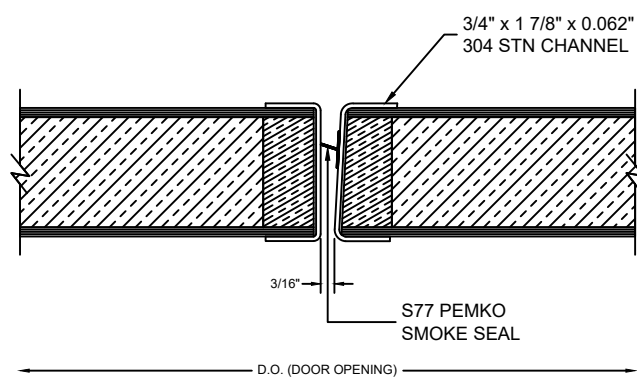
SILL DETAIL



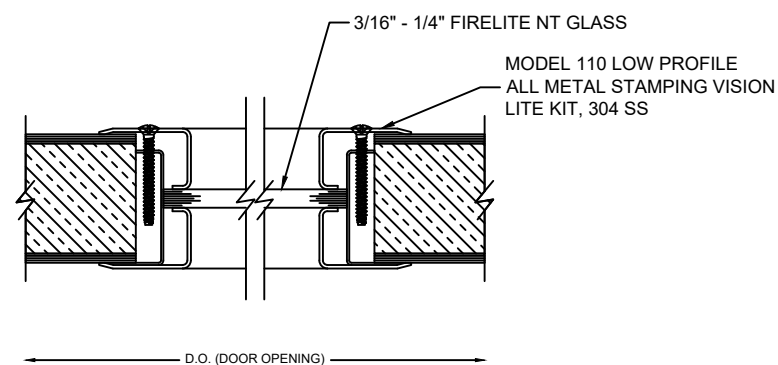
STANDARD MEETING DETAIL



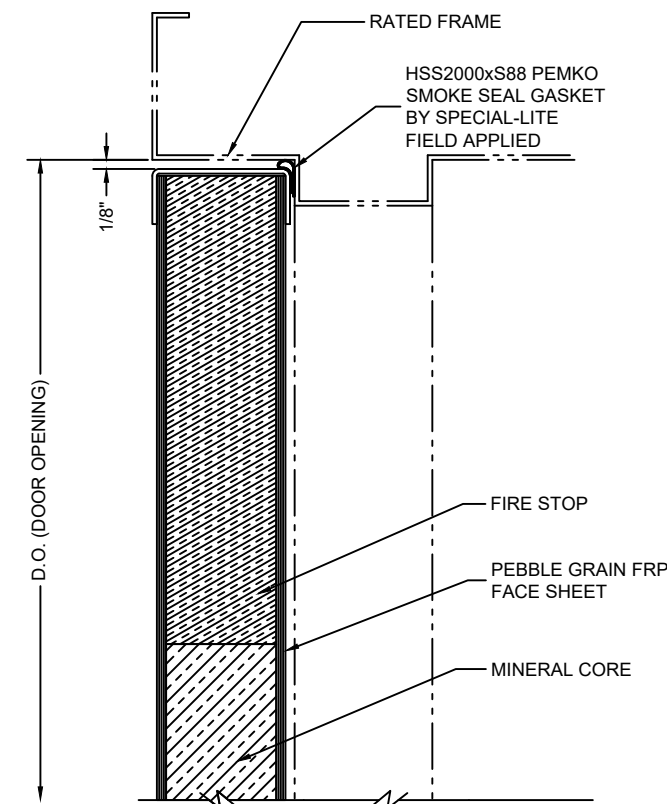
OPTIONAL MEETING DETAIL




LOCKSET MEETING DETAIL



VISION-LITE KIT DETAIL



DOOR HEAD DETAIL

		SPECIAL-LITE, INC. 860 South Williams Street P.O. BOX 6 DECATUR, MI 48045 WWW.SPECIAL-LITE.COM	
DRAWN BY: JMM REVISION: A 4/3/17 C B D	SL-21 FIRE RATED PEBBLE GRAIN DOOR		DATE: 4/3/2017 SHEET NO. 1 OF 1 FILE: SL21DETAILS.dwg