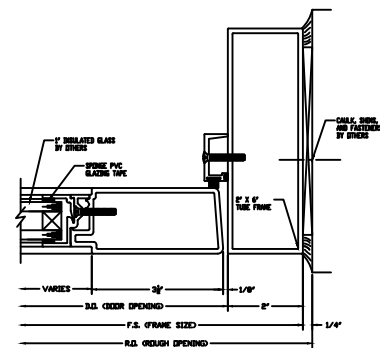
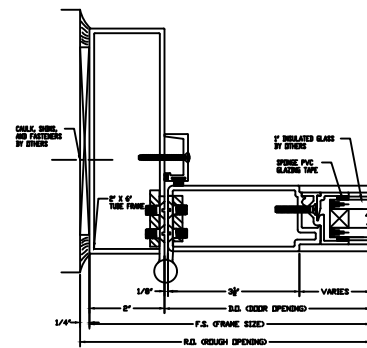


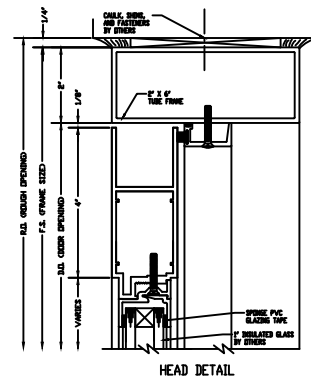
CONTINUOUS HINGE JAMB DETAIL



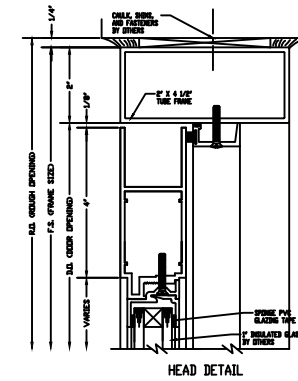
LOCK JAMB DETAIL



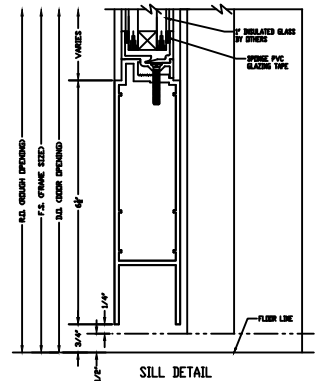
BUTT HINGE DETAIL



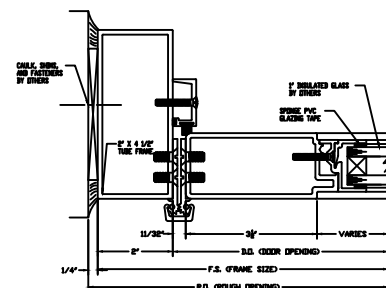
HEAD DETAIL



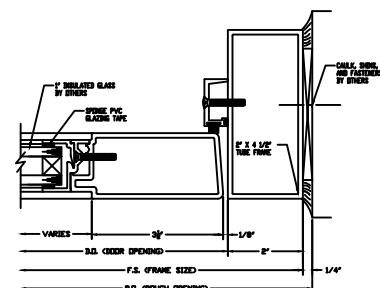
HEAD DETAIL



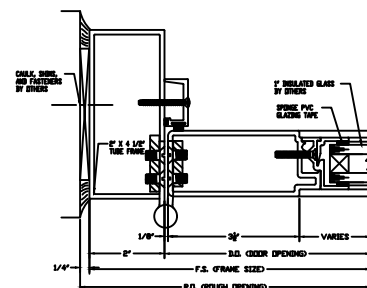
SILL DETAIL



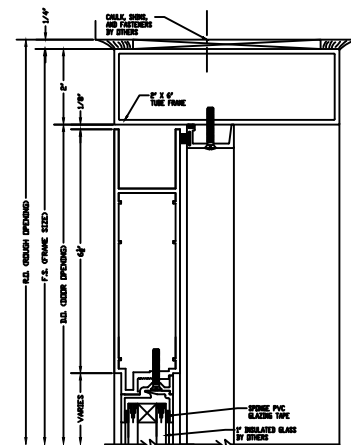
CONTINUOUS HINGE JAMB DETAIL



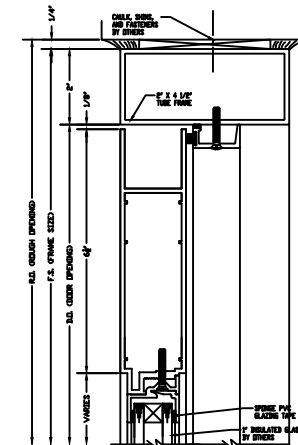
LOCK JAMB DETAIL



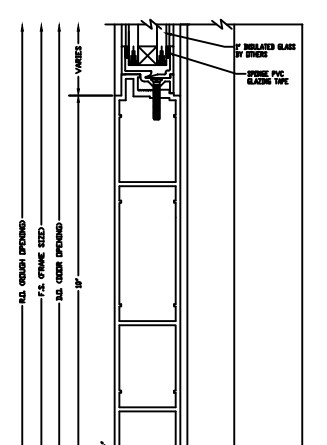
BUTT HINGE DETAIL



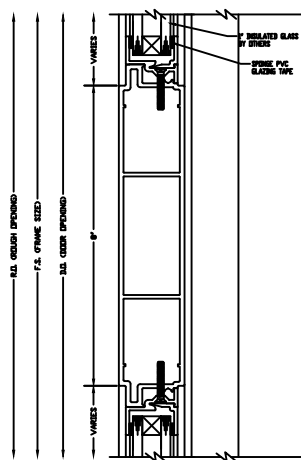
HEAD DETAIL



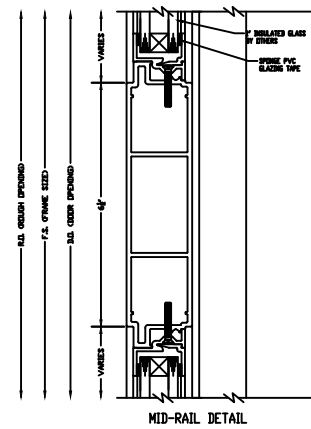
HEAD DETAIL



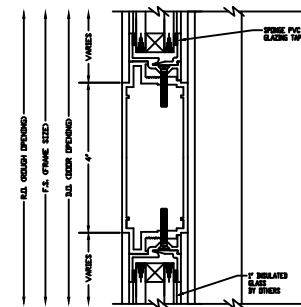
SILL DETAIL



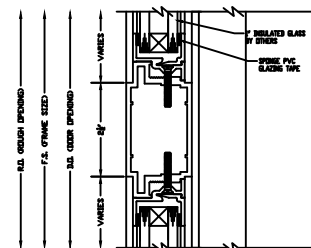
MID-RAIL DETAIL



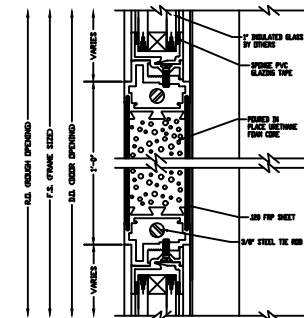
MID-RAIL DETAIL



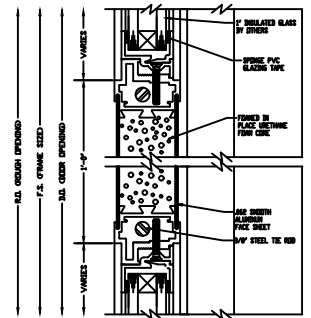
MID-RAIL DETAIL



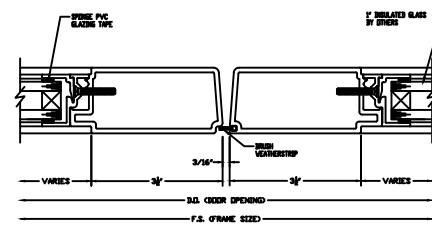
MID-RAIL DETAIL



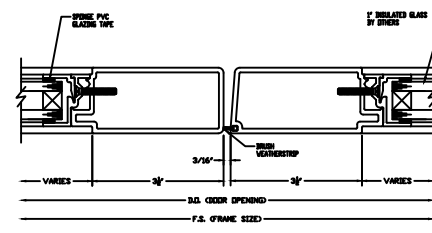
MID-PANEL DETAIL



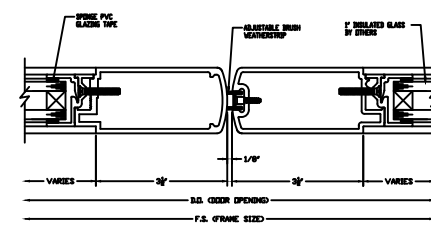
MID-PANEL DETAIL



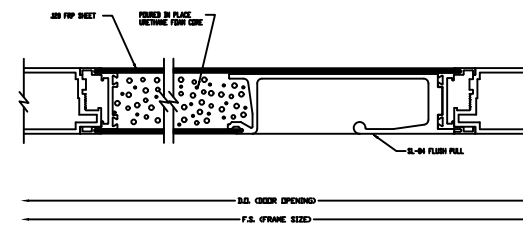
STANDARD MEETING STILES DETAIL




LOCKSET MEETING STILES DETAIL

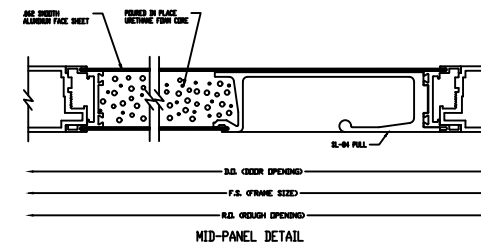
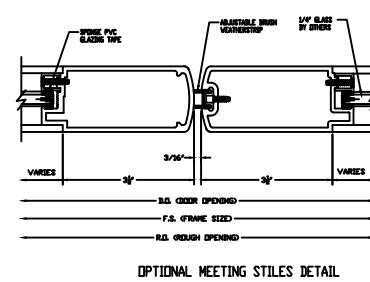
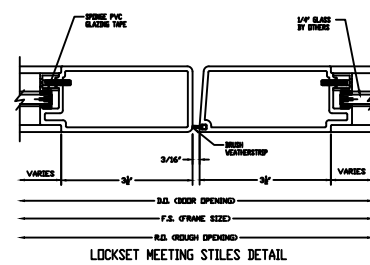
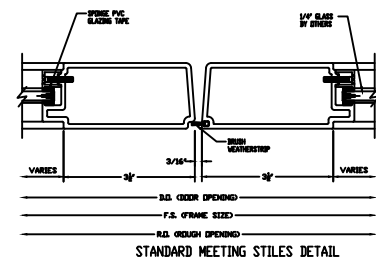
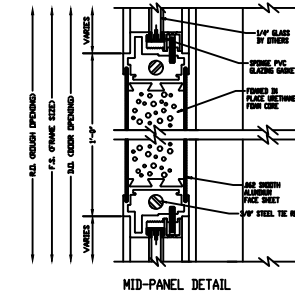
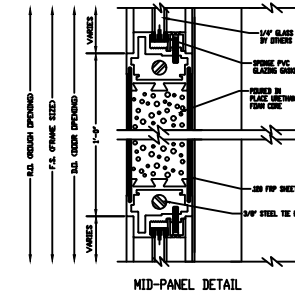
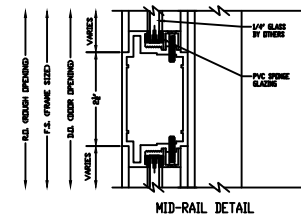
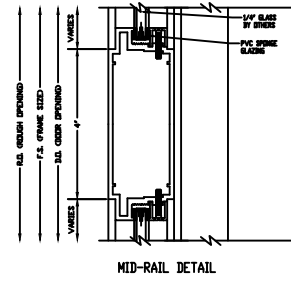
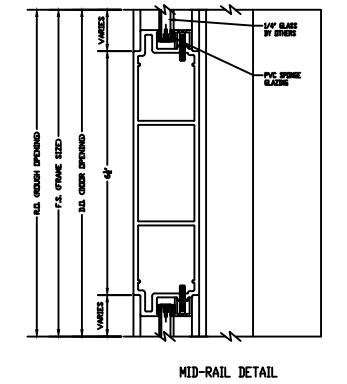
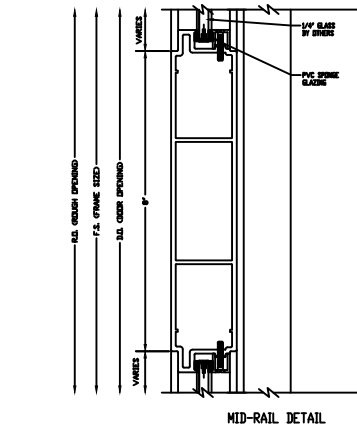
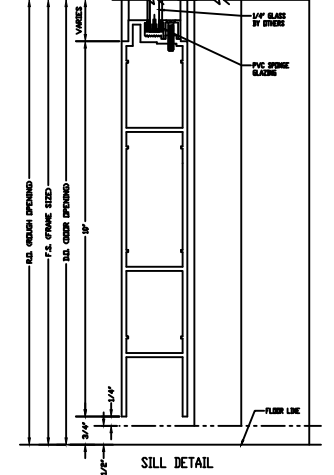
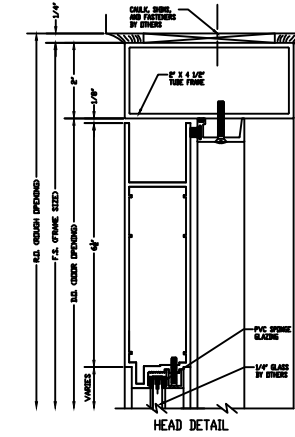
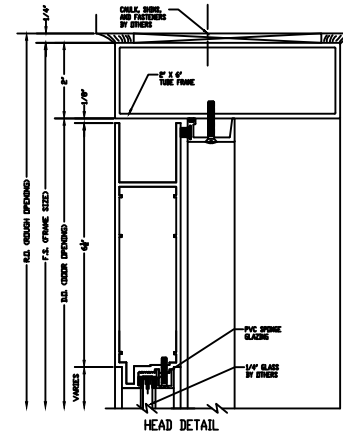
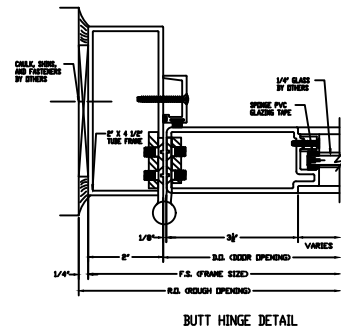
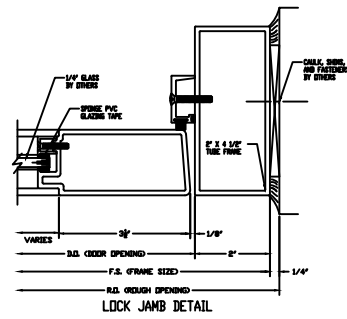
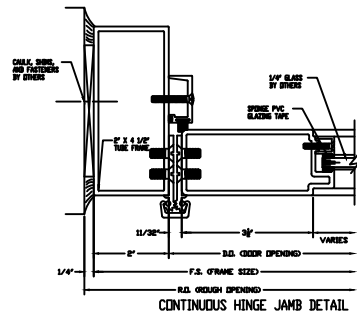
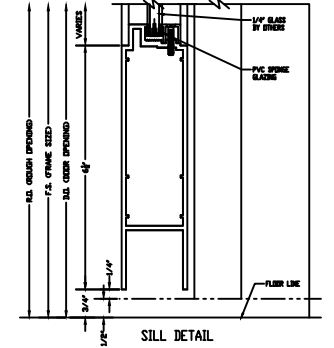
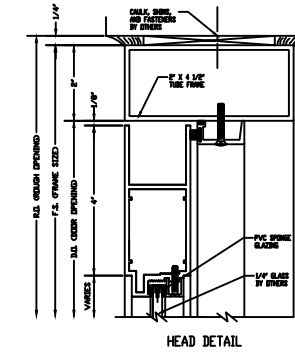
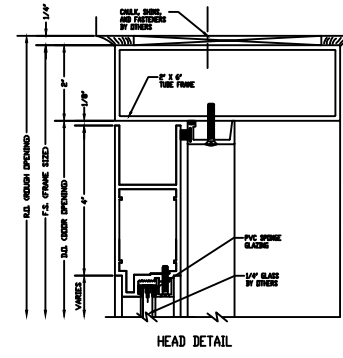
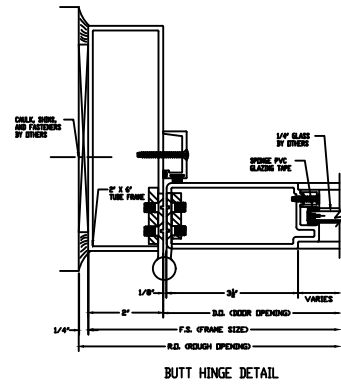
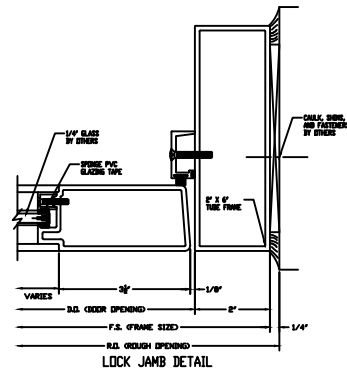
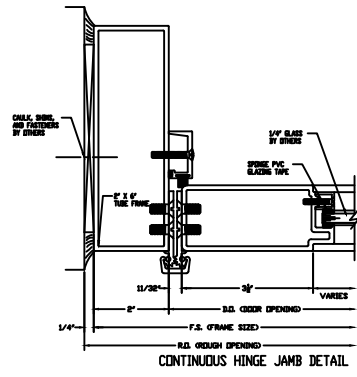


OPTIONAL MEETING STILES DETAIL



MID-PANEL DETAIL

		SPECIAL-LITE, INC. 860 South Williams Street P.O. BOX 6 DECATUR, MI 48045 WWW.SPECIAL-LITE.COM	
		DRAWN BY: JMM REVISION A 4/3/17 C B D	SL-14 MEDIUM STILE MONUMENTAL (1" GLAZING) DATE: 4/3/2017 SHEET NO. 1 OF 2



		SPECIAL-LITE, INC. 860 South Williams Street P.O. BOX 6 DECATUR, MI 48045 WWW.SPECIAL-LITE.COM	
		SL-14 MEDIUM STILE MONUMENTAL (1/4" GLAZING)	
DRAWN BY: JMM REVISION A 4/3/17 C B D	DATE: 4/3/2017	SHEET NO. 2 OF 2	FILE: SL14DETAILS.dwg